

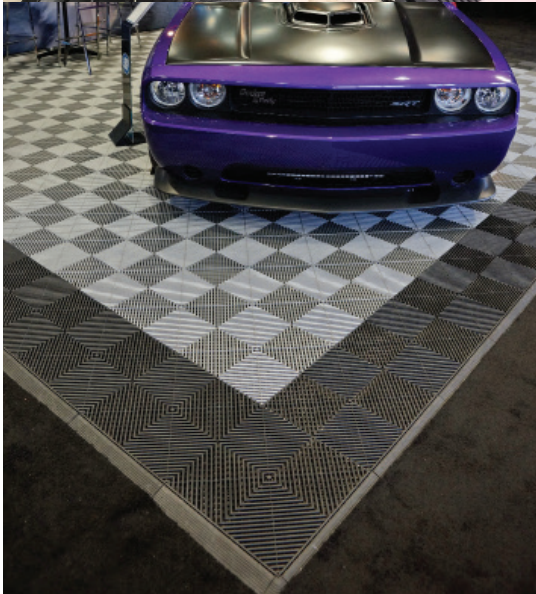
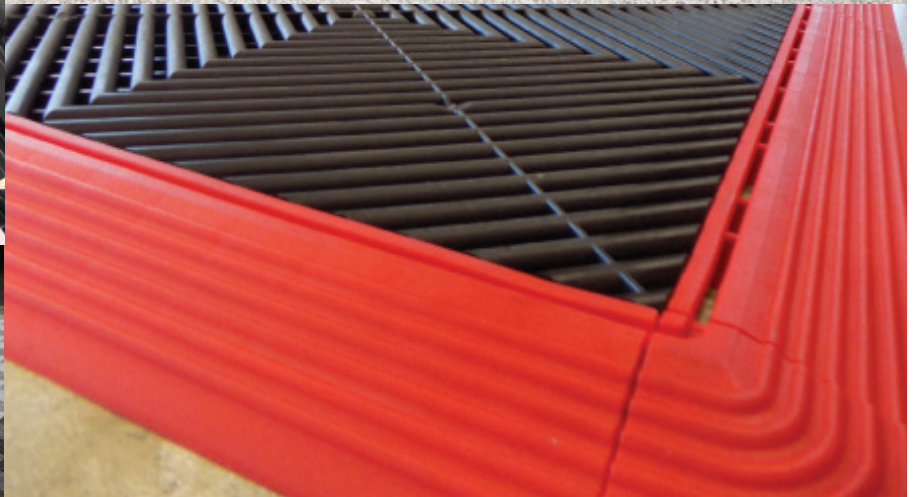
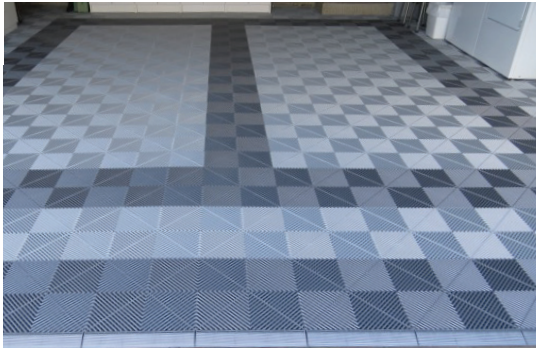


# Edges & Corners

you will not go unnoticed with

## THE FINISHED LOOK

Complete the look of your application with  
complimenting transition edging and corners.



*To view the many styles of Swisstrax; call to schedule an appointment to visit our showroom!*

*Colors shown on this sheet are as accurate as printing will allow. Images shown are not to scale.*













# Edges & Corners

## DESCRIPTION

*THE FINISHED LOOK.* Swisstrax transition edges and corners complete the look of any island application, or install that does not go wall to wall. It's never been easier to ramp up your showroom, car pad, garage, trade show booth or event floor with our patented *Swiss-Click®* edging and corner solutions.

## BENEFITS

-  **SUPERIOR STRENGTH**  
3/4" thick and features a compressive strength of 1,750 psi and 50,000 lbs of rollover weight.
-  **NON-SLIP**  
Non-trip.
-  **RAIN OR SHINE**  
UV Stabilizer mixed into the material as well as the color pigments, making them highly fade resistant.
-  **DO IT YOURSELF**  
Finished edges and corners assemble directly into your Swisstrax flooring.
-  **CHEMICAL RESISTANT**  
Resistant to oil, gas, acid or solvents including Skydrol and Alkalis.
-  **CONSTRUCTION**  
3/4" transition to level ground for ease, safety and durability.
-  **VARIETY**  
Choose from 19 different color options and 10 tile styles. Interlock with all 15.75" Swisstrax tiles.
-  **100% RECYCLABLE**  
100% sustainable.



## COLORS



## PACKAGING & ADDITIONAL FACTS

|                           |                        |                    |                                     |
|---------------------------|------------------------|--------------------|-------------------------------------|
| <b>PACKAGING:</b>         | 50/BOX                 | <b>TOOLS:</b>      | NO EXTRA TOOLS REQUIRED             |
| <b>CHANNELING SYSTEM:</b> | .25 INCH               | <b>RECYCLABLE:</b> | YES                                 |
| <b>CUTTING:</b>           | FINE TOOTH BLADE       | <b>PROFILE:</b>    | CLOSED                              |
| <b>CLEANING:</b>          | MOP WITH MILD CLEANSER | <b>TRANSITION:</b> | .75" TO LEVEL GROUND                |
| <b>FIRE RATING:</b>       | HORIZONTAL BURN RATING | <b>MATERIAL:</b>   | 100% UV STABILIZED<br>POLYPROPYLENE |

*To view the many styles of Swisstrax; call to schedule an appointment to visit our showroom!*

*Colors shown on this sheet are as accurate as printing will allow. Images shown are not to scale.*

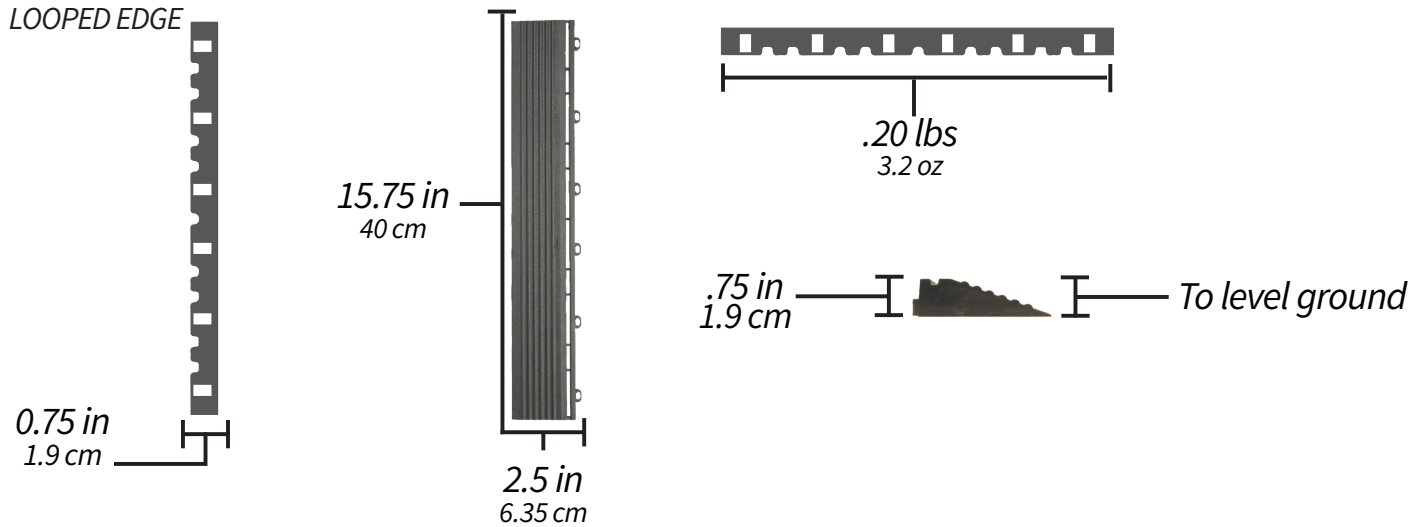




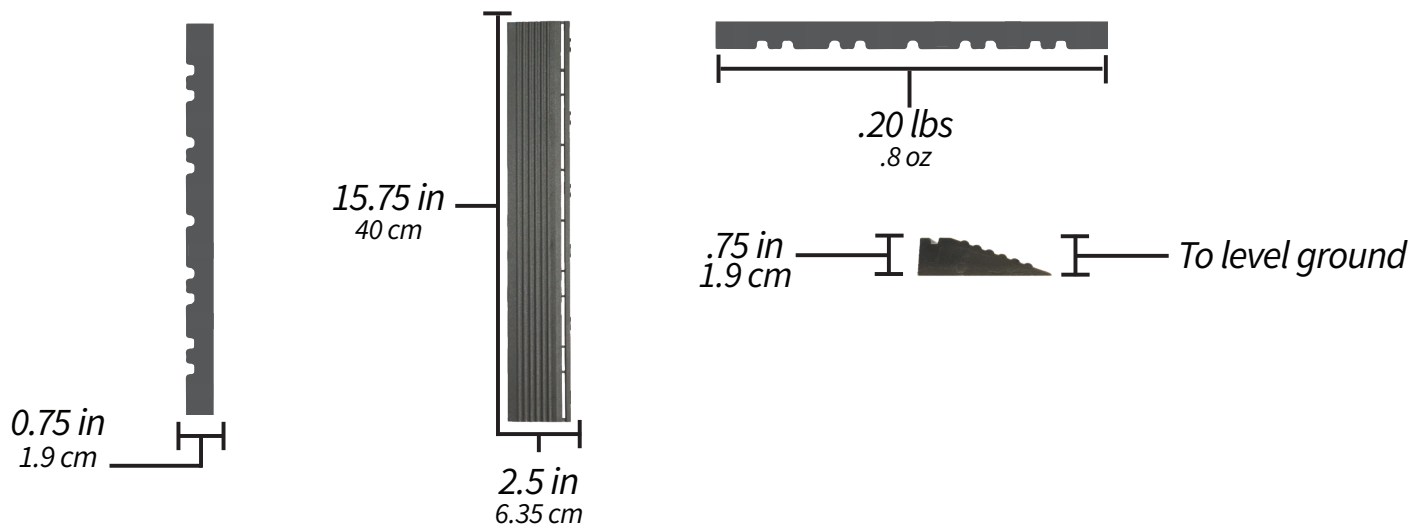
# Edges & Corners

## DIMENSIONS

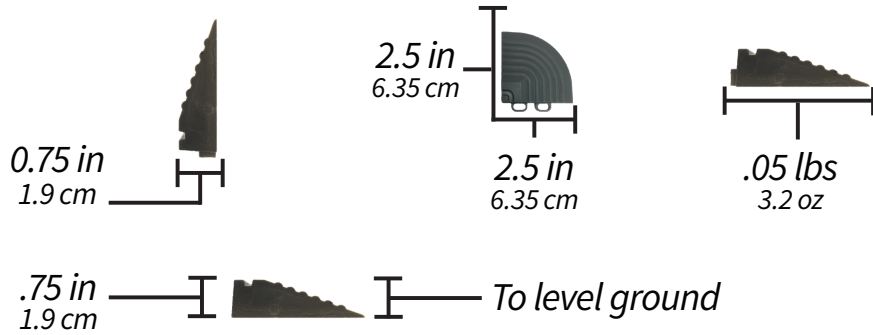
### LOOPED EDGE



### PEGGED EDGE



### CORNER



To view the many styles of Swisstrax; call to schedule an appointment to visit our showroom!

Colors shown on this sheet are as accurate as printing will allow. Images shown are not to scale.

